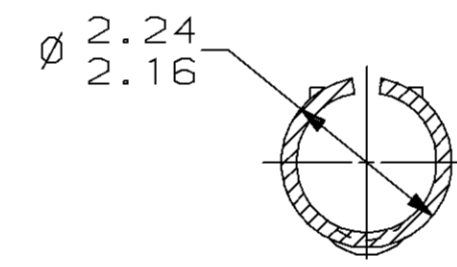
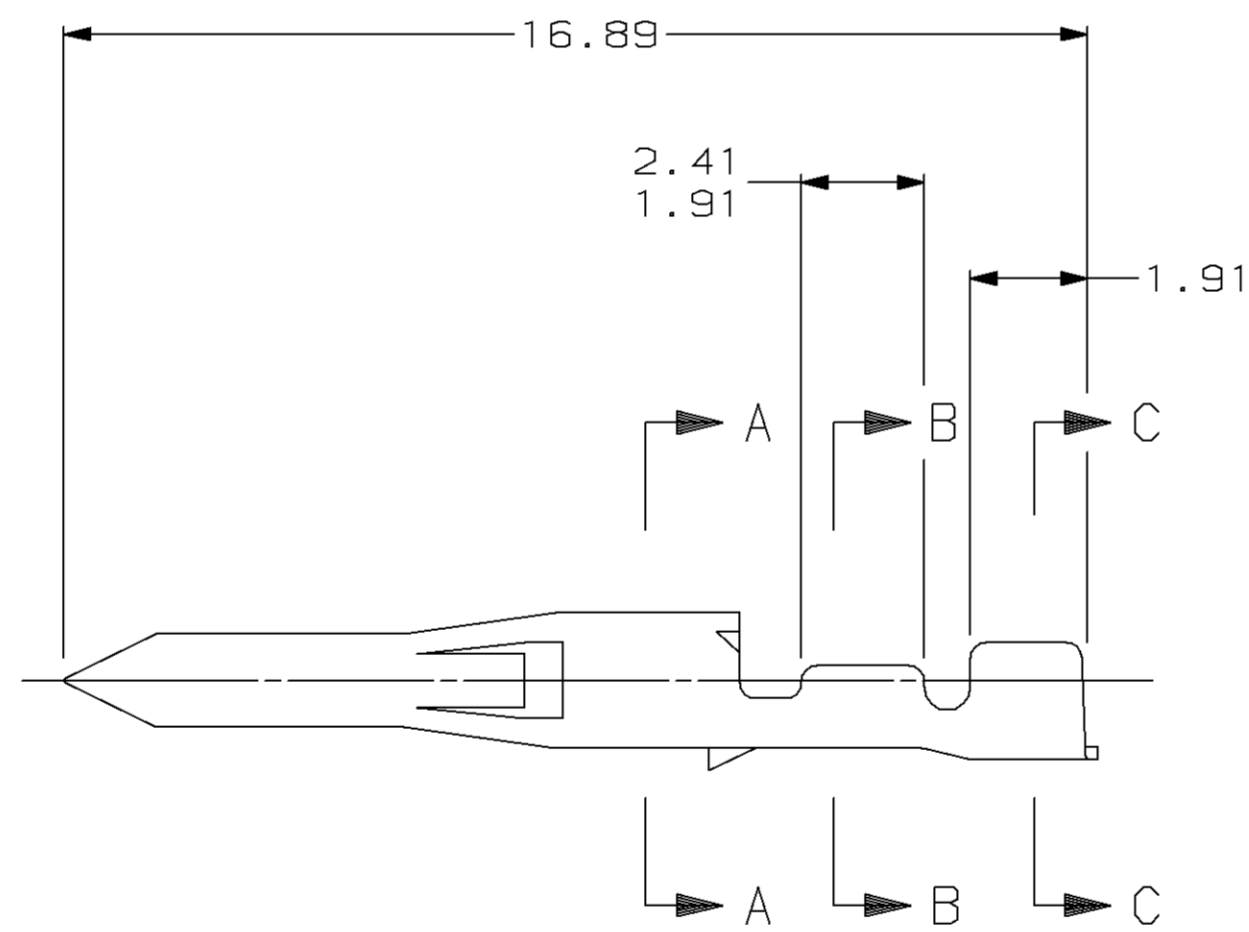
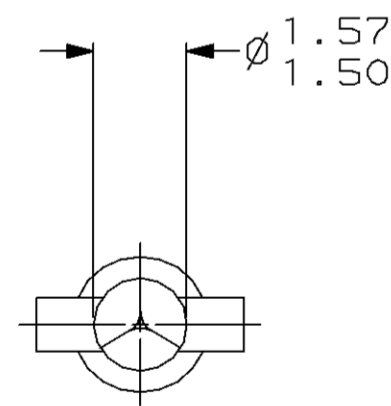
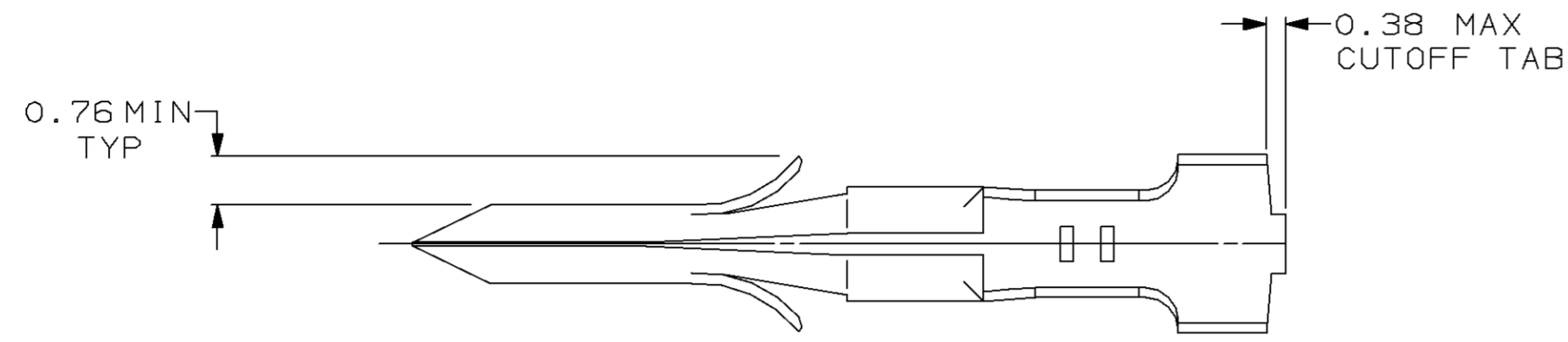
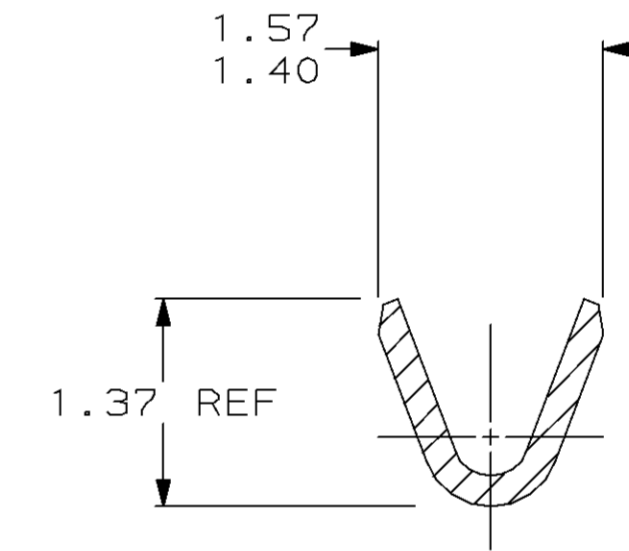


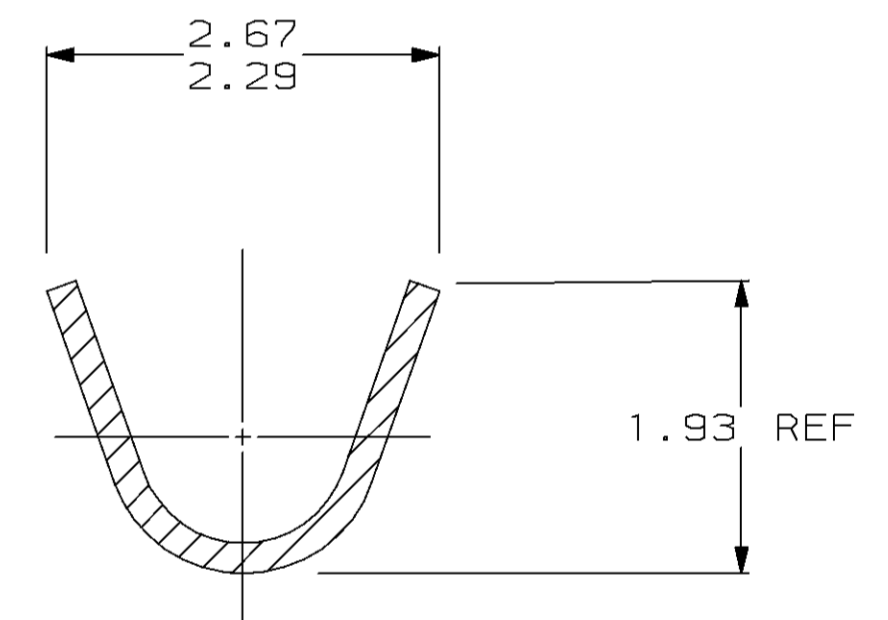
REVISIONS								
LOC	QIST	P	F	ZONE	LTR	DESCRIPTION	DATE	APPD
CM	53					0 RELEASED PER PR CM 93-69	7-14-93	LS RS



SECTION A-A  
SCALE 10:1



SECTION B-B  
SCALE 20:1



SECTION C-C  
SCALE 20:1

1.91	.075		
1.57	.062		
1.52	.060		
1.50	.059	16.89	.665
1.40	.055	2.67	.105
1.37	.054	2.41	.095
0.76	.030	2.29	.090
0.38	.015	2.24	.088
0.20	.008	2.16	.085
0.13	.005	1.93	.076
MM	IN	MM	IN

CONVERSION TABLE

PRE-TIN	0.20 BRASS	1.52 MAX	0.2 - 0.5 mm <sup>2</sup> (30-24 AWG)	794018-1
FINISH	MATERIAL	INSULATION DIAMETER	WIRE RANGE	PART NO
DO NOT SCALE PRINT. UNLESS SPECIFIED DIMENSIONS IN mm TOLERANCES ON: 2 PLC DEC ± 0.13 3 PLC DEC ± - ANGLES ± -	DR 7-14-93 L. SMITH CHK 7-14-93 R. SWING APPD 7-15-93 C. CASH MATERIAL SEE TABLE	APPD 7-15-93 C. CASH PRODUCT SPEC -	AMP Incorporated Harrisburg, PA 17105-3608 NAME .062 PIN, LOOSE PIECE, COMMERCIAL PIN AND SOCKET	FINISH SEE TABLE
APPLICATION SPEC -	SIZE Ø 00779	CAGE CODE 00779	DRAWING NO 794018	SCALE 8:1
WEIGHT -			SHEET 1 OF 1	

